

POUCH WITH GREEN FLOWERS



POUCH WITH GREEN FLOWERS

SIZE: 19 cm X 13 cm

SUPPLIES:

Scissors
 DMC Geometry fabric DM 354 ecru /50 cm X 30 cm
 Matching threads
 Round-tip embroidery needle
 1 beige zipper 18 cm
 Silver sequins

THREADS

PEARL COTTON #5 ART 115

993/ 1 SKEIN

907/ 1 SKEIN

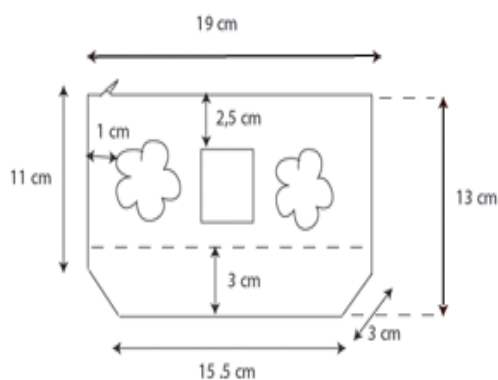
445/ 1 SKEIN

Stitching instructions

Place the design on the fabric, as shown on the diagram.

Make a knot on the back of the fabric and pass the needle through to the front. Glide the thread underneath the “bridges”, following the design on the grid. To stop, pass the needle through to the back and tie a knot.




Sewing instructions



Cut out 2 rectangles (15 x 21 cm) and place them right sides together. Sew around the sides and bottom edges of the pouch. Turn inside out and iron the angles at the bottom of the pouch, along the bottom seam. Starting 2 cm from the bottom corner, stitch a perpendicular seam up from the bottom seam.

Cut off excess fabric and turn right side out. Sew the zipper into place and stitch the design. Make a 7 cm braid and attach it to the zipper.



- Perlé n° 5
DMC
-  = 445
 -  = 907
 -  = 993
- 